

A-821PG

16-channel 12-bit 45KS/s multi-function board



A-821PGH



A-821PGL

Functional Description

The A-821PGH/L (H for high gain; L for low gain) are 12-bit multi-function analog and digital I/O boards for the PC/ AT compatible computer. The A-821PGH/A-821PGL offers 16-channel single-ended or 8-channel differential analog input, one channel analog output with 12-bit resolution, 16-channel digital input, 16-channel digital output. It has a maximum sampling rate of 45K samples/s.

Applications

- Laboratory automation
- Sensor interface
- Production test

Specifications

Analog Input

- Number of channels: 16 single-ended or 8 differential
- Resolution: 12-bit
- Conversion rate: 45KS/s max
- Input impedance: 10,000 M Ω || 6pF
- Over voltage protection: $\pm 35V$
- Accuracy: 0.01% of reading ± 1 bit
- Zero drift: ± 25 ppm/ $^{\circ}C$ of F.S. max

PGL Input Range

Gain	Bipolar(V)	Throughput
1	$\pm 5V$	45KS/s
2	$\pm 2.5V$	45KS/s
4	$\pm 1.25V$	45KS/s
8	$\pm 0.625V$	45KS/s

Features

- 12-bit A/D converter
- 45KS/s sampling rate
- 16 single-ended or 8 differential analog inputs
- A/D Trigger modes: Software Trigger, Pacer Trigger
- A/D data transfer modes: polling, interrupt
- Software programmable gain: 1, 10, 100, 1000 (A-821PGH); 1, 2, 4, 8 (A-821PGL)
- Bipolar analog input
- One 12-bit analog output channel
- Interrupt handling
- 16 digital inputs & 16 digital outputs

PGH Input Range

Gain	Bipolar(V)	Throughput
1	$\pm 5V$	45KS/s
10	$\pm 0.5V$	45KS/s
100	$\pm 0.05V$	10KS/s
1000	$\pm 0.005V$	1KS/s

Analog Output

- Number of channels: 1 independent
- Type: 12-bit double-buffered (AD-7948)
- Linearity: $\pm 1/2$ -bit
- Output range: 0~5V, 0~10V
- Output Driving: ± 5 mA
- Settling time: 0.6 μ s to 0.01% for full scale step

Digital I/O

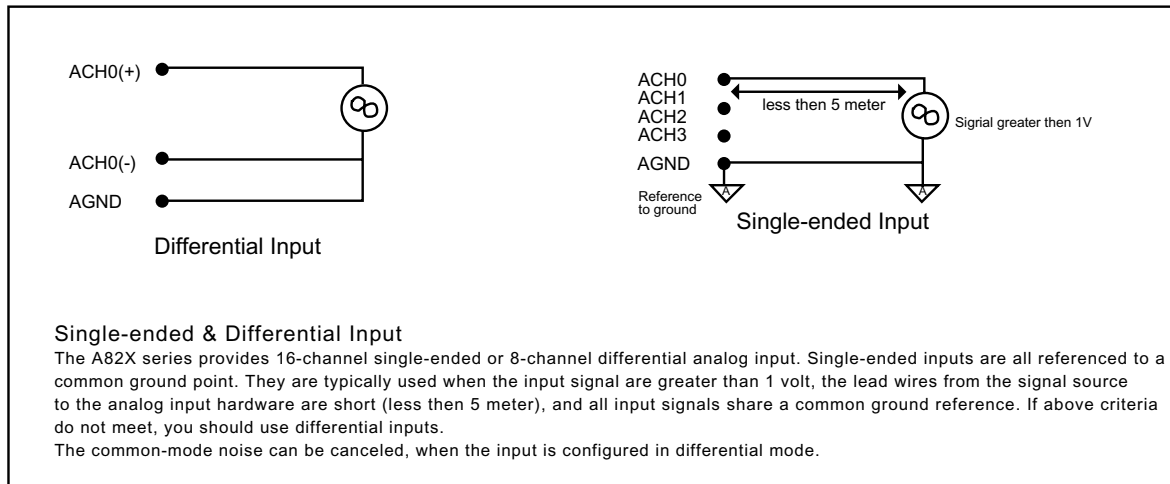
- 16 TTL-level input
- Input low $V_{IL} = 0.8V$ max; $I_{IL} = -0.4$ mA max
- Input high $V_{IH} = 2.0V$ min; $I_{IH} = 20 \mu$ A max
- 16 TTL-level output
- Output low $V_{OL} = 0.5V$ max; @ $I_{OL} = 8$ mA max
- Output high $V_{OH} = 2.7V$ min; @ $I_{OH} = 0.4$ mA max

Counter/Timer

- Number of channels: 1
- Resolution: 16-bit
- Compatibility: 5V/TTL
- Internal clock: 2MHz
- External clock: up to 10 MHz
- A/D pacer: cascaded 32-bit counter
- Programmable internal timer: 0.0047Hz~0.5MNz

A-821PG

16-channel 12-bit 45KS/s multi-function board



General Specifications

- I/O connector: one 37-pin D-Sub female
two 20-pin ribbon male
- Power requirements:

Device	+5V	+12V	-12V
A-821PG	320 mA	60 mA	30 mA

- Operating temperature: 0 ~ 60°C
- Operating humidity: 0 ~ 90% non-condensing
- Storage temperature: -20 ~ 70°C
- Dimensions: 170 mm x 122 mm

Ordering Information

Standard

- A-821PGH:** 16-channel, 12-bit 45KS/s high gain multi-function board
- A-821PGH/S:** A-821PGH with DB-8225
- A-821PGL:** 16-channel, 12-bit 45KS/s low gain multi-function board
- A-821PGL/S:** A-821PGL with DB-8225
- A-821PGL/DNA:** A-821PGHL without D/A

Optional

- DB-8225:** Screw terminal board with CJC
- DB-889D:** 16-channel multiplexer and signal conditioning board
- DN-37:** 2x37-pin connector DIN-rail mounting terminal board
- DB-37:** 37-pin D-sub directly connector terminal board
- DN-20:** 2x20-pin header DIN-rail terminal board
- DB-16P:** 16-channel isolated D/I board
- DB-16R:** 16-channel relay board
- ADP-20/PCI:** 20-pin extender

Pin Assignment

CN1

N.C.	37	19	+5V OUT
N.C.	36	18	N.C.
N.C.	35	17	N.C.
N.C.	34	16	N.C.
N.C.	33	15	N.C.
N.C.	32	14	A.GND
N.C.	31	13	+12V
D/A OUT	30	12	N.C.
A.GND	29	11	N.C.
A.GND	28	10	A.GND
AI15	27	09	A.GND
AI14	26	08	AI 7
AI13	25	07	AI 6
AI12	24	06	AI 5
AI11	23	05	AI 4
AI10	22	04	AI 3
AI 9	21	03	AI 2
AI 8	20	02	AI 1
		01	AI 0

CN2

DI 0	1	2	DI 1
DI 2	3	4	DI 3
DI 4	5	6	DI 5
DI 6	7	8	DI 7
DI 8	9	10	DI 9
DI 10	11	12	DI 11
DI 12	13	14	DI 13
DI 14	15	16	DI 15
D.GND	17	18	D.GND
+5V	19	20	+12V

CN3

DO 0	1	2	DO 1
DO 2	3	4	DO 3
DO 4	5	6	DO 5
DO 6	7	8	DO 7
DO 8	9	10	DO 9
DO 10	11	12	DO 11
DO 12	13	14	DO 13
DO 14	15	16	DO 15
D.GND	17	18	D.GND
+5V	19	20	+12V