



ET-2261

ET-2261-16

Ethernet I/O Module with 10-ch Power Relay Output

Features

- Built-in Web Server
- Support Modbus TCP/UDP Protocols
- Powerful 32-bit MCU Handles Efficient Network Traffic
- 2-port Ethernet Switch (LAN Bypass) for Daisy-Chain Wiring
- Dual Watchdog
- I/O Pair Connection (Push and Polling)
- Easy Firmware Update via Ethernet
- LED Display to Indicate the I/O status
- Wide Operating Temperature Range: -25 ~ +75°C
- Built-in I/O 10 Power Relay Output Channels
 - ET-2261: 10-channel
 - ET-2261-16: 16-channel



Introduction

The ET-2261/ET-2261-16 provides 10/16 Form A electromechanical Relays Output channels. With 2 Ethernet ports, the ET-2261/ET-2261-16 allows daisy chain connection which permits the flexibility in locating devices, eases installation and lowers infrastructure costs. It features 8 kV ESD protection, 4 kV EFT protection, 3 kV surge and 3750 VDC I/O isolation to enhance noise protection capabilities in industrial environments.

System Specifications

Model	ET-2261	ET-2261-16
System		
CPU	32-bit ARM	
Communication		
Ethernet Port	2 x RJ-45, 10/100 Base-TX, Switch Ports	
Protocol	Modbus TCP, Modbus UDP	
Security	Password and IP Filter	
I/O Pair Connection	Yes (Push, Polling)	
Dual Watchdog	Yes, Module, Communication (Configurable)	
LAN Bypass	Yes	
LED Indicators		
System Running	Yes	
Ethernet Link/Act	Yes	
DI/DO status	Yes	
2-Way Isolation		
Ethernet	1500 Vdc	
I/O	3000 Vdc	
EMS Protection		
ESD (IEC 61000-4-2)	±8 kV Contact for Each Terminal and ±16 kV Air for Random Point	
EFT (IEC 61000-4-4)	±4 kV for Power Line	
Surge (IEC 61000-4-5)	±3 kV for Power Line	
Power		
Reverse Polarity Protection	Yes	
Powered from Terminal Block	+10 ~ +30 Vdc	+10 ~ +48 VDC
Consumption	3.3 W (Max.)	24 V: 4.32 W (Max.) 48 V: 4.71 W (Max.)
Mechanical		
Dimensions (L x W x H)	127 mm x 33 mm x 99 mm	157 mm x 31 mm x 129 mm
Installation	DIN-Rail Mounting	
Environment		
Operating Temperature	-25 ~ +75°C	
Storage Temperature	-30 ~ +80°C	
Humidity	10 ~ 90% RH, Non-condensing	

I/O Specifications

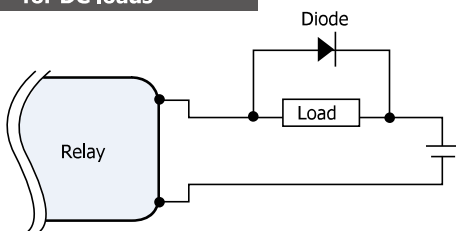
Model	ET-2261	ET-2261-16
Power Relay		
Channels	10	16
Type	Power Relay, Form A (SPST N.O.)	
Contact Rating	5 A @ 250 VAC/24 VDC (Resistive Load)	
Min. Contact Load	10 mA @ 5 V	
Operate Time	10 ms (max.)	
Release Time	5 ms (max.)	
Mechanical Endurance	2 × 10 ⁷ ops.	
Electrical Endurance	10 ⁵ ops.	
Power-on Value	Yes, Configurable	
Safe Value	Yes, Configurable	

Wire Connections

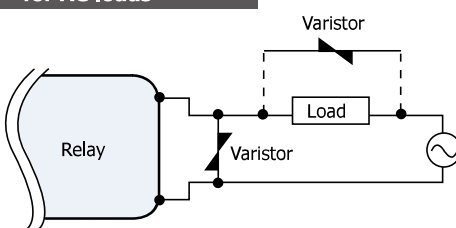
Power Relay	Relay Output
ON State Readback as 1	
OFF State Readback as 0	

Note: When inductive loads are connected to the relays, a large counter electromotive force may occur when the relay actuates because of the energy stored in the load. These flyback voltages can severely damage the relay contacts and greatly shorten the relay life. Limit these flyback voltages at your inductive load by installing a flyback diode for DC loads or a metal oxide varistor for AC loads.

for DC loads



for AC loads

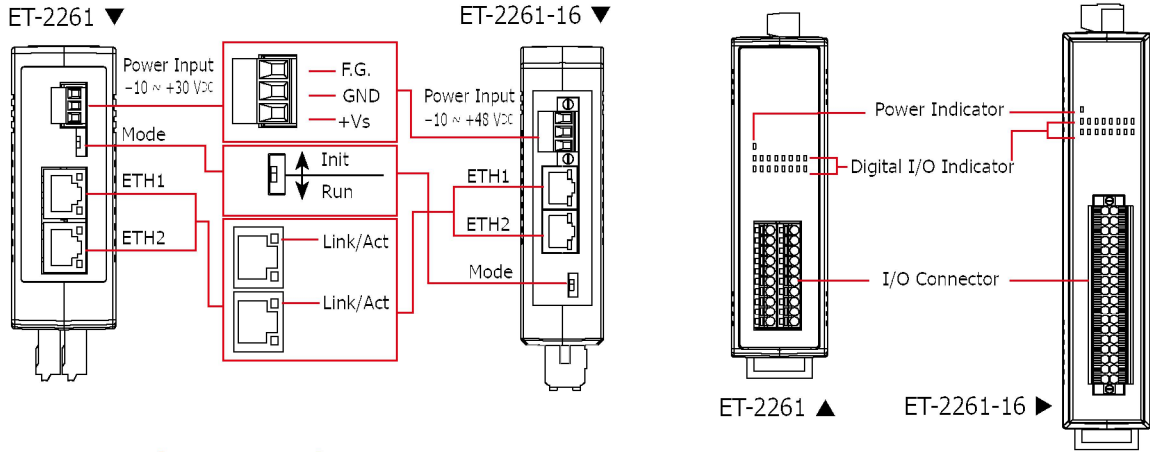


Pin Assignments

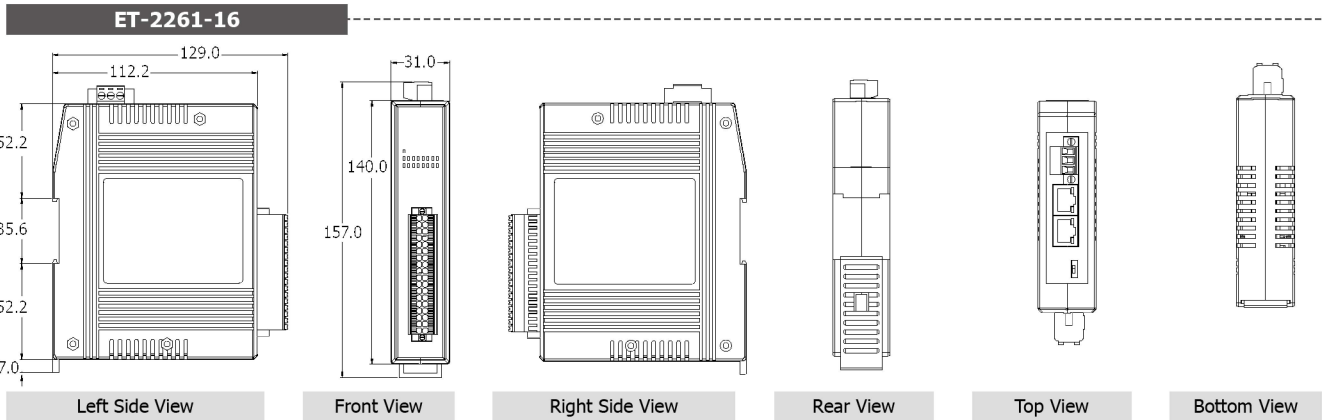
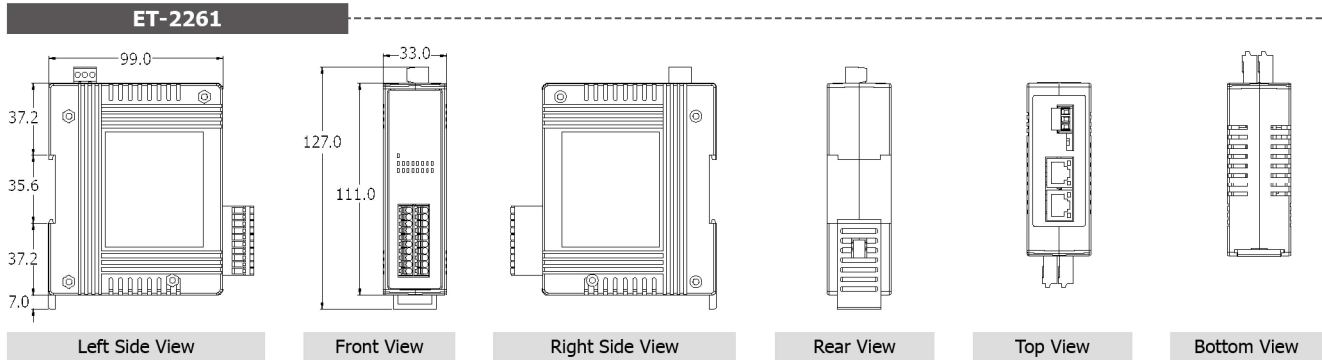
ET-2261																																														
	<table border="1"> <thead> <tr> <th>Terminal No.</th> <th>Pin Assignment</th> </tr> </thead> <tbody> <tr> <td>PWR</td> <td>F.G.</td> </tr> <tr> <td>PWR</td> <td>GND</td> </tr> <tr> <td></td> <td>+ Vs</td> </tr> <tr> <td>ETH1</td> <td></td> </tr> <tr> <td>ETH2</td> <td></td> </tr> </tbody> </table> <table border="1"> <thead> <tr> <th>Pin Assignment</th> <th>Terminal No.</th> <th>Pin Assignment</th> </tr> </thead> <tbody> <tr><td>NO0</td><td>01</td><td>NO5</td></tr> <tr><td>COM0</td><td>03</td><td>COM5</td></tr> <tr><td>NO1</td><td>05</td><td>NO6</td></tr> <tr><td>COM1</td><td>07</td><td>COM6</td></tr> <tr><td>NO2</td><td>09</td><td>NO7</td></tr> <tr><td>COM2</td><td>11</td><td>COM7</td></tr> <tr><td>NO3</td><td>13</td><td>NO8</td></tr> <tr><td>COM3</td><td>15</td><td>COM8</td></tr> <tr><td>NO4</td><td>17</td><td>NO9</td></tr> <tr><td>COM4</td><td>19</td><td>COM9</td></tr> </tbody> </table>	Terminal No.	Pin Assignment	PWR	F.G.	PWR	GND		+ Vs	ETH1		ETH2		Pin Assignment	Terminal No.	Pin Assignment	NO0	01	NO5	COM0	03	COM5	NO1	05	NO6	COM1	07	COM6	NO2	09	NO7	COM2	11	COM7	NO3	13	NO8	COM3	15	COM8	NO4	17	NO9	COM4	19	COM9
Terminal No.	Pin Assignment																																													
PWR	F.G.																																													
PWR	GND																																													
	+ Vs																																													
ETH1																																														
ETH2																																														
Pin Assignment	Terminal No.	Pin Assignment																																												
NO0	01	NO5																																												
COM0	03	COM5																																												
NO1	05	NO6																																												
COM1	07	COM6																																												
NO2	09	NO7																																												
COM2	11	COM7																																												
NO3	13	NO8																																												
COM3	15	COM8																																												
NO4	17	NO9																																												
COM4	19	COM9																																												

ET-2261-16																																																																						
	<table border="1"> <thead> <tr> <th>Terminal No.</th> <th>Pin Assignment</th> </tr> </thead> <tbody> <tr> <td>PWR</td> <td>F.G.</td> </tr> <tr> <td>PWR</td> <td>GND</td> </tr> <tr> <td></td> <td>+ Vs</td> </tr> <tr> <td>ETH1</td> <td></td> </tr> <tr> <td>ETH2</td> <td></td> </tr> </tbody> </table> <table border="1"> <thead> <tr> <th>Pin Assignment</th> <th>Terminal No.</th> <th>Pin Assignment</th> </tr> </thead> <tbody> <tr><td>NO0</td><td>01</td><td>COM0</td></tr> <tr><td>NO1</td><td>02</td><td>COM1</td></tr> <tr><td>NO2</td><td>03</td><td>COM2</td></tr> <tr><td>NO3</td><td>04</td><td>COM3</td></tr> <tr><td>NO4</td><td>05</td><td>COM4</td></tr> <tr><td>NO5</td><td>06</td><td>COM5</td></tr> <tr><td>NO6</td><td>07</td><td>COM6</td></tr> <tr><td>NO7</td><td>08</td><td>COM7</td></tr> <tr><td>N/A</td><td>09</td><td>N/A</td></tr> <tr><td>N/A</td><td>10</td><td>N/A</td></tr> <tr><td>NO8</td><td>11</td><td>COM8</td></tr> <tr><td>NO9</td><td>12</td><td>COM9</td></tr> <tr><td>NO10</td><td>13</td><td>COM10</td></tr> <tr><td>NO11</td><td>14</td><td>COM11</td></tr> <tr><td>NO12</td><td>15</td><td>COM12</td></tr> <tr><td>NO13</td><td>16</td><td>COM13</td></tr> <tr><td>NO14</td><td>17</td><td>COM14</td></tr> <tr><td>NO15</td><td>18</td><td>COM15</td></tr> </tbody> </table>	Terminal No.	Pin Assignment	PWR	F.G.	PWR	GND		+ Vs	ETH1		ETH2		Pin Assignment	Terminal No.	Pin Assignment	NO0	01	COM0	NO1	02	COM1	NO2	03	COM2	NO3	04	COM3	NO4	05	COM4	NO5	06	COM5	NO6	07	COM6	NO7	08	COM7	N/A	09	N/A	N/A	10	N/A	NO8	11	COM8	NO9	12	COM9	NO10	13	COM10	NO11	14	COM11	NO12	15	COM12	NO13	16	COM13	NO14	17	COM14	NO15	18	COM15
Terminal No.	Pin Assignment																																																																					
PWR	F.G.																																																																					
PWR	GND																																																																					
	+ Vs																																																																					
ETH1																																																																						
ETH2																																																																						
Pin Assignment	Terminal No.	Pin Assignment																																																																				
NO0	01	COM0																																																																				
NO1	02	COM1																																																																				
NO2	03	COM2																																																																				
NO3	04	COM3																																																																				
NO4	05	COM4																																																																				
NO5	06	COM5																																																																				
NO6	07	COM6																																																																				
NO7	08	COM7																																																																				
N/A	09	N/A																																																																				
N/A	10	N/A																																																																				
NO8	11	COM8																																																																				
NO9	12	COM9																																																																				
NO10	13	COM10																																																																				
NO11	14	COM11																																																																				
NO12	15	COM12																																																																				
NO13	16	COM13																																																																				
NO14	17	COM14																																																																				
NO15	18	COM15																																																																				

Appearance



Dimensions (Units: mm)



Ordering Information

ET-2261 CR	Ethernet I/O Module with 2-port Ethernet Switch, 10-ch Power Relay Output (RoHS)
ET-2261-16 CR	Ethernet I/O Module with 2-port Ethernet Switch, 16-ch Power Relay Output (RoHS)

Related Products

NS-205 CR	Unmanaged 5-Port Industrial Ethernet Switch with Power Input +10 ~ +30 VDC (RoHS)
NS-208 CR	Unmanaged 8-port Industrial 10/100 Base-TX Ethernet Switch with Power Input +10 ~ +30 VDC (RoHS)
DIN-KA52F CR	24 V/1.04 A, 25 W Power Supply with DIN-Rail Mounting (RoHS)
GPSU06U-6	24 V/0.25 A (max.) Power Supply