

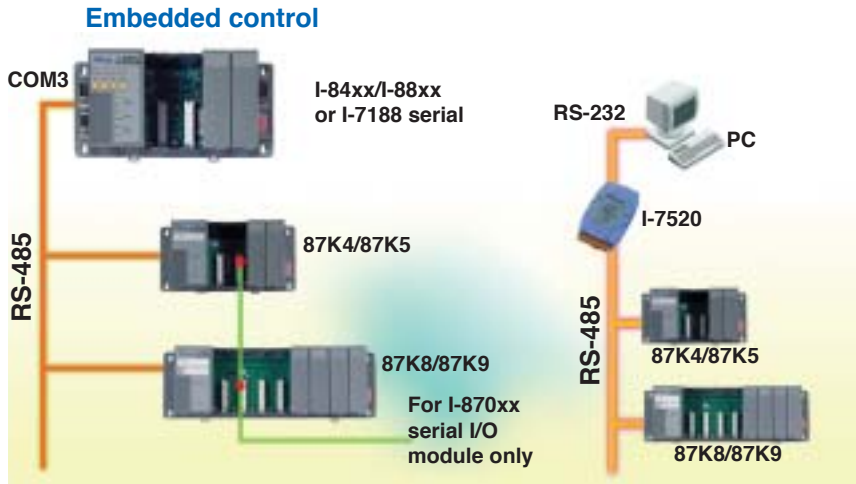
i-87K I/O Expansion Unit

SERIES

2. I/O Expansion Unit:

The I/O expansion units are used to extend the number of I/O modules. Each expansion unit consists of a Power supply and a Back Plane with 4, or 5 or 8 or 9 Serial I/O Expansion Slots. The I/O expansion units, 87K4, 87K5, 87K8, 87K9 are equipped with a 115.2K bps RS-485 bus which links the expansion unit to the main control unit.

Block Diagram of 87K Expansion unit



I/O Expansion Unit Selection Guide

Model	Description	CPU	Slot	Power Supply	COM Port	I/O Module Supported
87K4 I/O Expansion Unit	4 Slot I/O Expansion Unit	None	4	20W	(Note1)	Serial I/O Module only
87K5 I/O Expansion Unit	5 Slot I/O Expansion Unit	None	5	20W	(Note1)	Serial I/O Module only
87K8 I/O Expansion Unit	8 Slot I/O Expansion Unit	None	8	20W	(Note1)	Serial I/O Module only
87K9 I/O Expansion Unit	9 Slot I/O Expansion Unit	None	9	20W	(Note1)	Serial I/O Module only

Note1: Isolated RS-485 port; 115.2K bps; Data+, Data-

i-87K I/O Expansion Unit SERIES



Ordering Information:

I-87K4: I/O Expansion unit with 4 I/O slots
I-87K4-G: I-87K4 with Gray color



Ordering Information:

I-87K5: I/O Expansion unit with 5 I/O slots
I-87K5-G: I-87K5 with Gray color



Ordering Information:

I-87K8: I/O Expansion unit with 8 I/O slots
I-87K8-G: I-87K8 with Gray color



Ordering Information:

I-87K9: I/O Expansion unit with 9 I/O slots
I-87K9-G: I-87K9 with Gray color

Specifications & Features

COM Port

- RS-485, 115.2K bps max.
- Data+, Data-
- Max. distance:
 - 4000 feet (1.2Km)
- Isolation voltage: 3000Vdc

I/O Expansion Slot

- Support serial I/O
- 4 slots for I-87K4, 5 slots for
 - I-87K5, 8 slots for I-87K8, 9
 - slots for I-87K9

Power Supply

- Unregulated +10Vdc to
 - +30Vdc
- 20W

Environment

- Operating Temperature:
 - -25°C to + 75°C
- Storage Temperature:
 - -30°C to + 85°C
- Humidity:
 - 5 ~ 95%, non-condensing