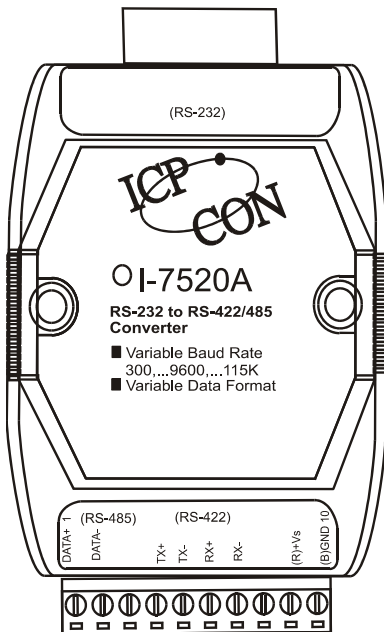


## 2.3 I-7520A:

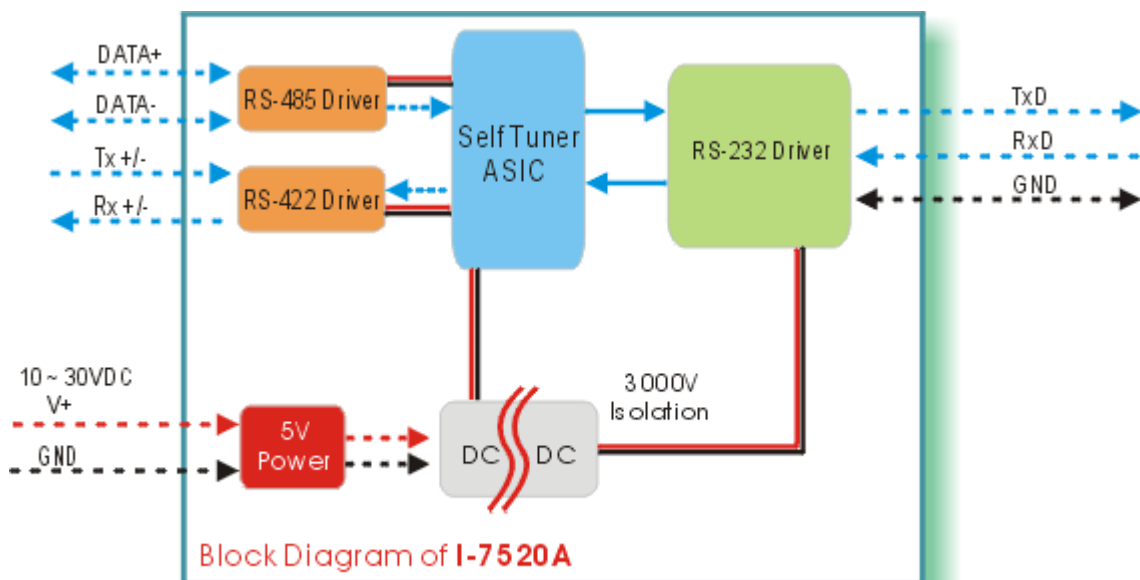
### 2.3.1 Pin Assignment and Specifications:



### 7520A: RS-232 to RS-422/485 Converter

- Protocol: RS-422/485
- Connector: plug-in screw terminal block
- Speed: "Self Tuner" inside, auto switching baud rate, from 300 to 115200 BPS
- 256 modules max in one RS-485 network without repeater
- 2048 modules max in one RS-485 network with repeater
- Isolation voltage: 3000V
- **Isolation site: RS-232**
- Repeater request: 4,000 feet or over 256 modules
- Power requirements: +10V dc ~ +30V dc
- Power consumption: 0.05A@24V; Max

### 2.3.2 Block Diagram:



### 2.3.3 The I-7520A has three different output types

Selecting the I-7520A output type.

**NOTE:** The RS-422 and RS-485 output types couldn't be used simultaneously, which means that you can only select 1 type to output.

Type 1: 1-channel RS-485 output.

Type 2: 1-channel RS-422 output.

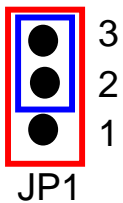
Type 3: 2-channel RS-485 output. (Support star network)

RS422/485 Output Jumpers settings:

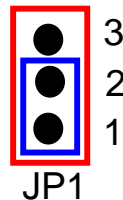
For type 1: Set the JP1 jumper to positions 2 and 3.

For type 2: Set the JP1 jumper to positions 2 and 3.

For type 3: Set the JP1 jumper to positions 1 and 2.

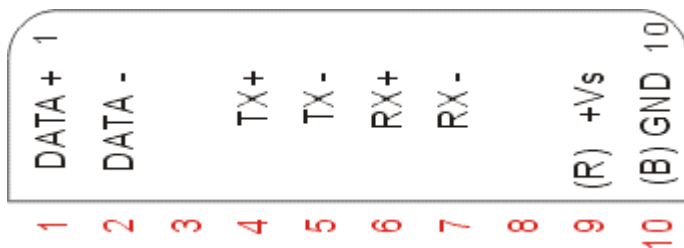


Types 1 and 2:  
Default setting  
RS-422 or RS-485



Type 3:  
2-channel RS-485

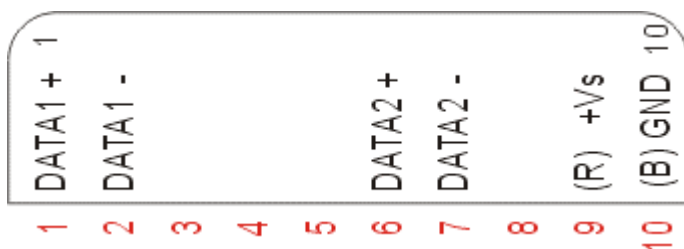
Pin Assignment For type1 and type2:



RS-485 Pin define:  
DATA+ and DATA-

RS-422 Pin define:  
TX+, TX-, RX+ and RX-

Pin Assignment For type3:



Channel one Pin define:  
DATA1+ and DATA1-

Channel two Pin define:  
DATA2+ and DATA2-

## 2.4 I-7520AR :

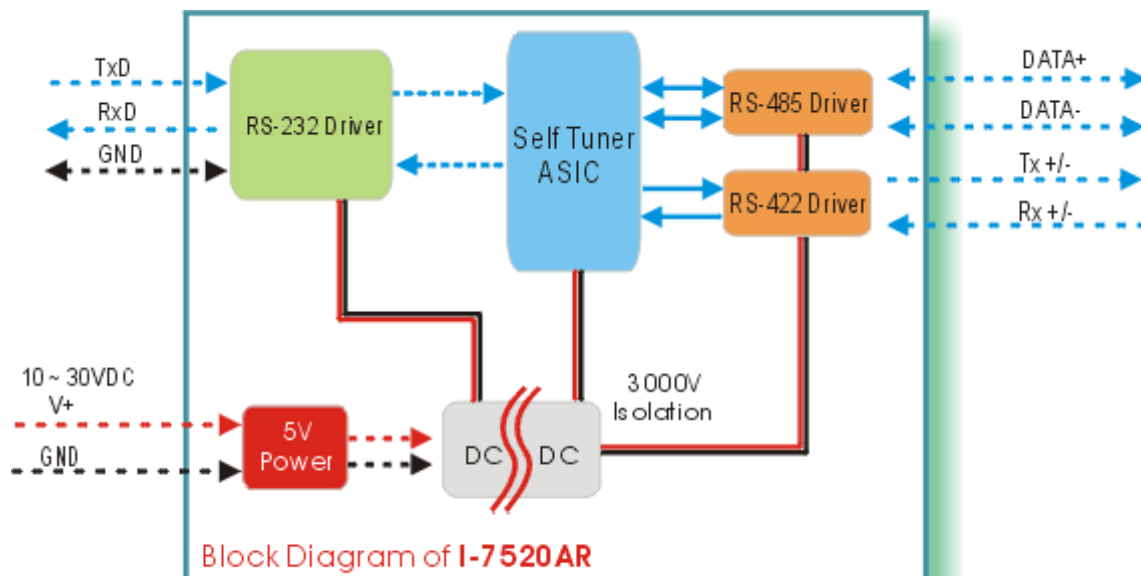
### 2.4.1 Pin Assignment and Specifications:



### 7520AR: RS-232 to RS-422/485 Converter

- Protocol: RS-422/485
- Connector: plug-in screw terminal block
- Speed: “Self Tuner” inside, auto switching baud rate, from 300 to 115200 BPS
- 256 modules max in one RS-485 network without repeater
- 2048 modules max in one RS-485 network with repeater
- Isolation voltage: 3000V
- Isolation site: RS-422/485
- Repeater request: 4,000 feet or over 256 modules
- Power requirements: +10V dc ~ +30V dc
- Power consumption: 0.05A@24V; Max

### 2.4.2 Block Diagram:



2.4.3 The I-7520AR has three different output types

Selecting the I-7520AR output type.

**NOTE:** The RS-422 and RS-485 output types couldn't be used simultaneously, which means that you can only select 1 type to output.

Type 1: 1-channel RS-485 output.

Type 2: 1-channel RS-422 output.

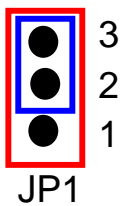
Type 3: 2-channel RS-485 output. (Support star network)

RS422/485 Output Jumpers settings:

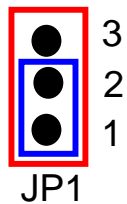
For type 1: Set the JP1 jumper to positions 2 and 3.

For type 2: Set the JP1 jumper to positions 2 and 3.

For type 3: Set the JP1 jumper to positions 1 and 2.

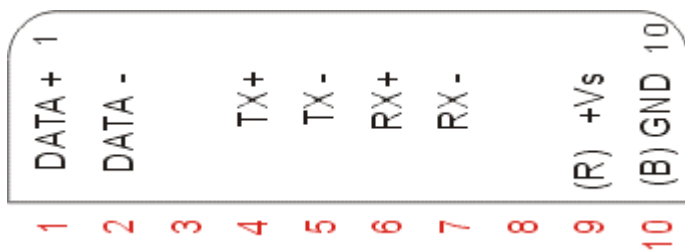


Types 1 and 2:  
Default setting  
RS-422 or RS-485



Type 3:  
2-channel RS-485

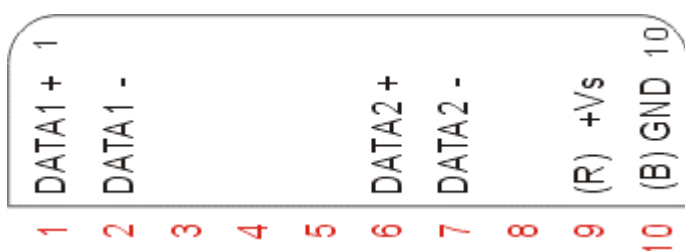
Pin Assignment For type1 and type2:



RS-485 Pin define:  
DATA+ and DATA-

RS-422 Pin define:  
TX+, TX-, RX+ and RX-

Pin Assignment For type3:



Channel one Pin define:  
DATA1+ and DATA1-

Channel two Pin define:  
DATA2+ and DATA2-